



- OPTIONAL RS-232/RS-485 CONTROL.
- 1KV TO 30KV @ 2W TO 20W MAX.
- HIGH STABILITY & ULTRA LOW RIPPLE & NOISE.
- SIX-SIDED SHIELDED
- ARC, CONTINUOUS SHORT CIRCUIT PROTECTED
- LOCAL AND REMOTE CONTROL
- OEM CUSTOMIZATION AVAILABLE.

## INTRODUCTION

Wis man's PMC is a six-sided shielded modular high-voltage power supply, adopting proprietary linear power conversion technology, with small size, higher efficiency and lower ripple. The standard configuration of the PMC series voltage programming given signal uses differential input form, which greatly improves the anti-interference ability to external noise. Wis man's PMC series power supply can be measured and controlled internally, externally, and computer. RS-232 and RS-485 interfaces are optional. This series of modules are fully protected by overcurrent, arcing, short circuit, etc.

## TYPICAL APPLICATIONS

Mass spectrometry, Photomultiplier Tubes, Solid state detectors, Piezoelectric crystal devices, Voltage bias, Ultrasonic transducers, Microchannel plates, Spectra, Scintillation counters, Electron multiplier detectors, Nuclear Instrument, Electrophoresis, DNA sequencing, Counter, Electron beam, Ion beam, Electrostatic chuck, Withstand voltage test, Pulse power supply, Precision lens, Image intensifiers, Semiconductor testing, Capacitor charging, Electrostatic spinning, Electrostatic discharge testing ESD, Life sciences, Medical chemicals, Scientific experiments, Industrial applications.

## PMC SELECTION TABLE

kV	mA	P(W)	MODEL	Ripple(mVp-p)	kV	mA	P(W)	MODEL	Ripple(mVp-p)	kV	mA	P(W)	MODEL	Ripple(mVp-p)
1	5.0	5	PMC1*5	3	3	1.67	5	PMC3*5	3	15	0.33	5	PMC15*5	15
	10.0	10	PMC1*10	3		3.33	10	PMC3*10	3		0.67	10	PMC15*10	15
	20.0	20	PMC1*20	30		6.67	20	PMC3*20	30		1.33	20	PMC15*20	75
2	2.5	5	PMC2*5	3	5	1.0	5	PMC5*5	3	20	0.25	5	PMC20*5	40
	5.0	10	PMC2*10	3		2.0	10	PMC5*10	3		0.5	10	PMC20*10	40
	10.0	20	PMC2*20	30		4.0	20	PMC5*20	30		1.0	20	PMC20*20	100
2.5	2.0	5	PMC2.5*5	3	10	0.5	5	PMC10*5	10	30	0.17	5	PMC30*5	60
	4.0	10	PMC2.5*10	3		1.0	10	PMC10*10	10		0.33	10	PMC30*10	60
	8.0	20	PMC2.5*20	30		2.0	20	PMC10*20	30		0.67	20	PMC30*20	150

## PMC SELECTION EXAMPLE

PMC	30	*	20	VIP	10	VIM	10	TC25	LCX	M1
Series Name	MAX. Output Voltage (KV)	Output Polarity P:Positive N:Negative	MAX. Output Power (W)	Option VP: Voltage Program IP: Current Program VIP:Voltage and Current Program	Option 10:0 ~+10Vdc Programming =0 to Max. Output 5:0~+5Vdc Programming =0 to Max. Output	Option VM: Voltage Monitor IM: Current Monitor VIM:Voltage and Current Monitor	Option 10:0 ~+10Vdc Monitor=0 to Max. Output 5:0~+5Vdc Monitor=0 to Max. Output	Option TC25: 25ppm/C TC10: 10ppm/C	Option shield cable Xm (X option)	Option M1, M2, M3 (SEE NEXT PAGE)



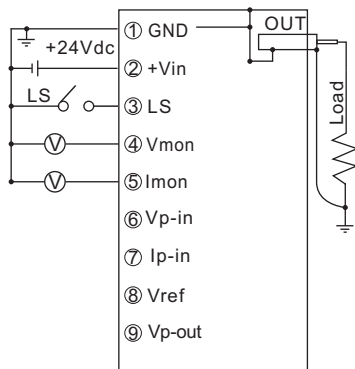
**SPECIFICATIONS**

PARAMETER	DESCRIBE
Input Voltage	+24Vdc±2Vdc@1.5 amp maximum.
Output Voltage	1kV~30kV,20W MAX.
Stability	After 1 hour warm-up,per hour≤0.005%, per 8 hours≤0.01%,per 1000 hours≤0.05%.
Temperature Coefficient	< 25ppm/°C , option 10ppm/°C(TC10).
Ripple	See"PMC SELECTION TABLE"
Reference Voltage	+10Vdc ±1%.
Output Voltage Accuracy	±2%, When Vp-in=+10.00Vdc.
Voltage/Current Monitor	0~+10Vdc corresponds to 0 to maximum output,Zout=10kΩ.
Voltage Local Programming	By internal potentiometer ,0~+10Vdc for 0 to maximum output.
Voltage Remote Programming	By external 20kΩ potentiometer or external voltage control (0~+10Vdc,Zin=10MΩ, Accuracy:±1%).Corresponds to 0 to maximum output.
Current Remote Programming	At VP Providing 110% current protection; At IP ,VP, 0~+10Vdc input ,Linear response to 0-100% rated output
Voltage Load Regulation	Load:0.001% of rated output voltage for full load change.
Voltage Line Regulation	Line: ±0.001% of rated output voltage over specified input voltage.
Operating Temperature	0°C ~ 50°C.
Storage Temperature	-35°C ~ 85°C.
Humidity	20% ~ 85% Rh, non-condensing.
Dimensions	Pls check the PMB Mechanical Size
Weight	1kV~10kV: 420g; 20kV~30kV: 650g

C5  
MODULES

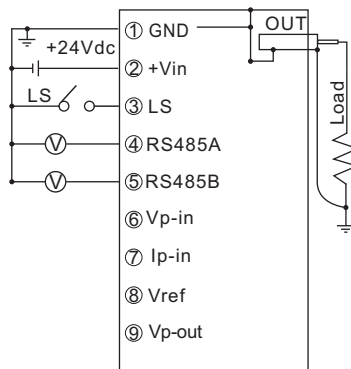
**9 PIN CONNECTION DIAGRAM**

**M1: Analog control**



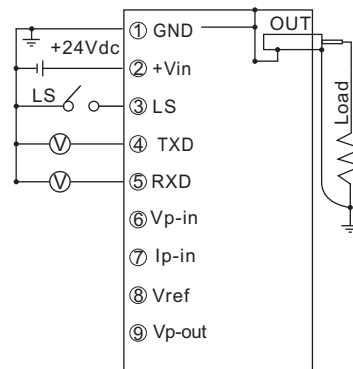
LS: ON=GND  
OFF=OPEN

**M2: RS-485**



LS: ON=GND  
OFF=OPEN

**M3: RS-232**

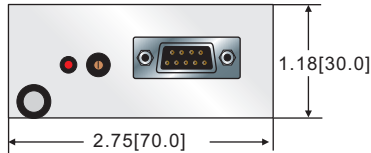


LS: ON=GND  
OFF=OPEN

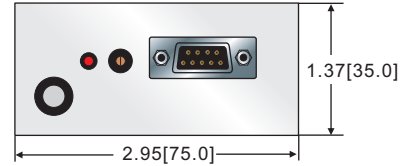
## DIMENSIONS

### DIMENSIONS:in.[mm]

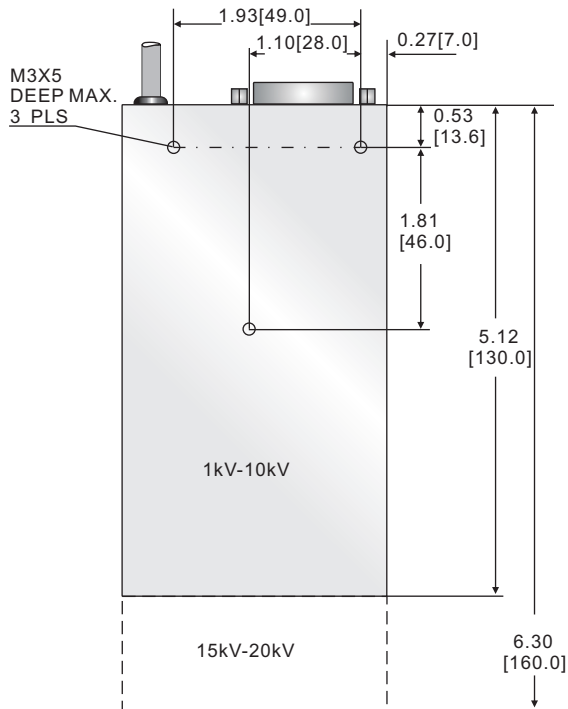
FRONT VIEW



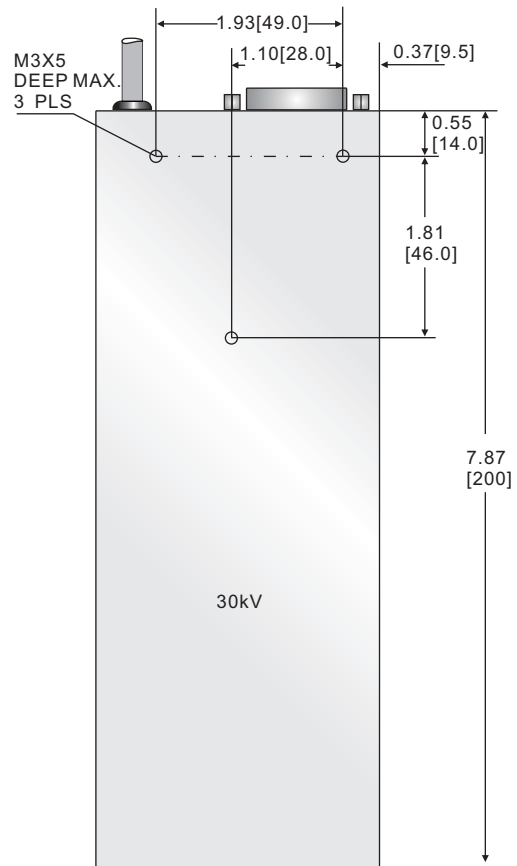
FRONT VIEW



BOTTOM VIEW



BOTTOM VIEW



SIDE VIEW



SIDE VIEW

